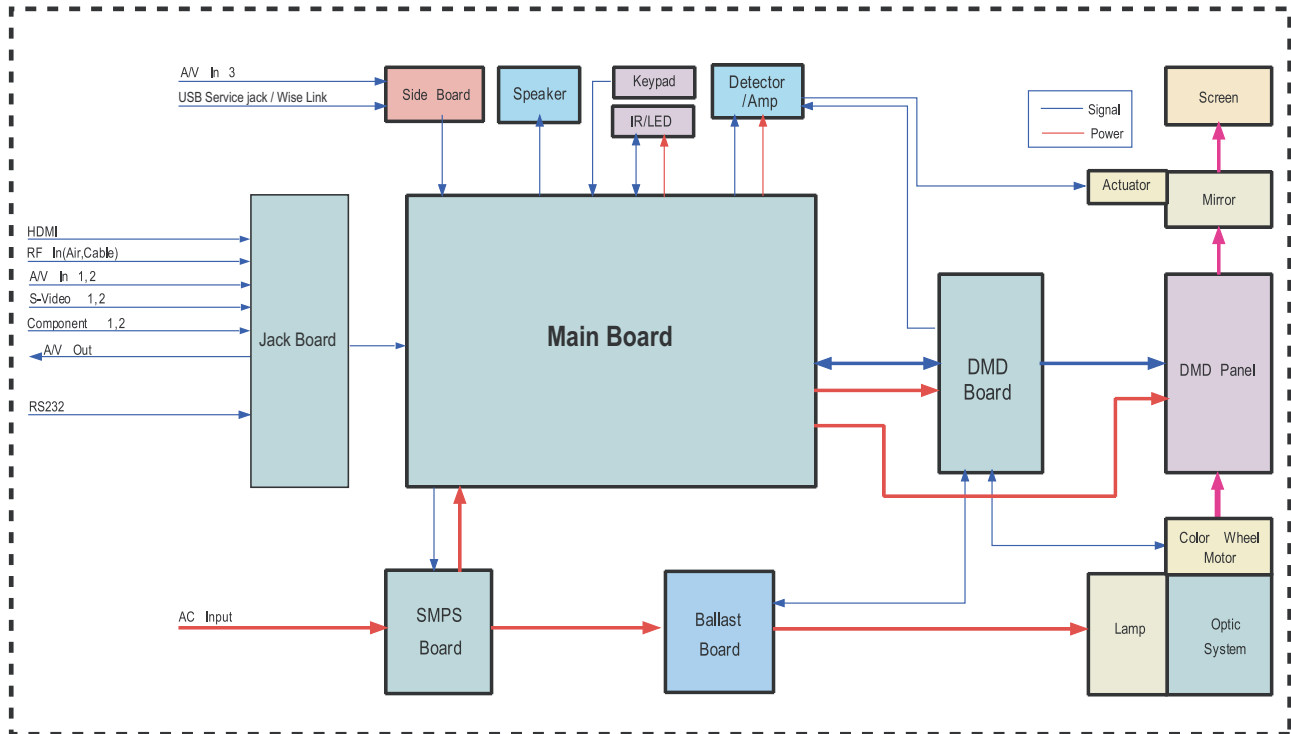


## 7. Block Diagram

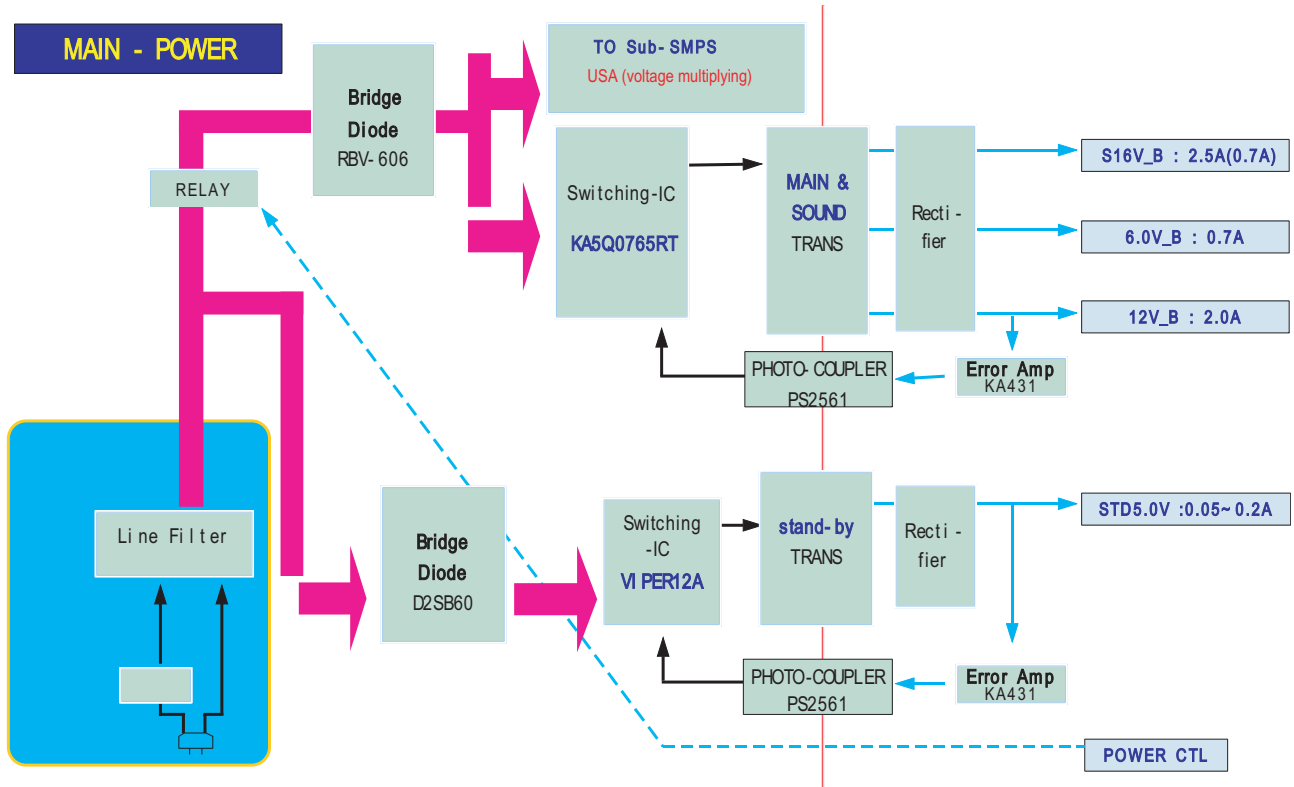
### 7-1 Overall Block Diagram



※ For the Assy Code, see the service item on page 5-1.

## 7-2 Partial Block Diagram

### 7-2-1 SMPS Block Diagram



### 7-2-4 Digital board Block Diagram

